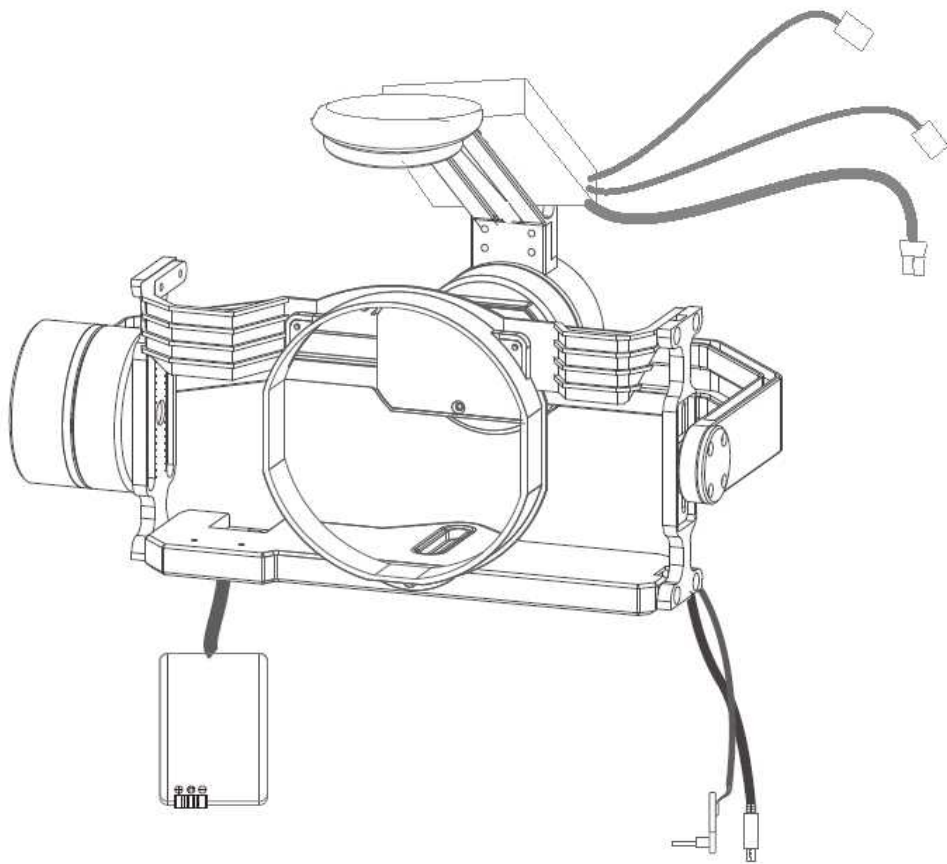


Klau Geomatics Gimbal



User Manual

www.klauppk.com

Table of Contents

Disclaimer	Page 2
Description	Page 3
Installation	
Mounting Camera to Gimbal	Page 4
Mounting Gimbal to Drone	Page 5
Connecting Gimbal to Klau 7700 Series	Page 5
Operation	
General use	Page 6
Pairing A New Remote	Page 6
Technical Specifications	
Dimensions	Page 7
Other Specifications	Page 8
Troubleshooting	Page 8

Disclaimer

Do not adjust the gimbal or change its mechanical structure by yourself.

Be sure to mount a camera to the gimbal before powering on and before installing the gimbal on the aircraft.

To avoid gimbal performance degradation or damage caused by imbalanced payloads, please do not add any other peripherals to the gimbal or camera.

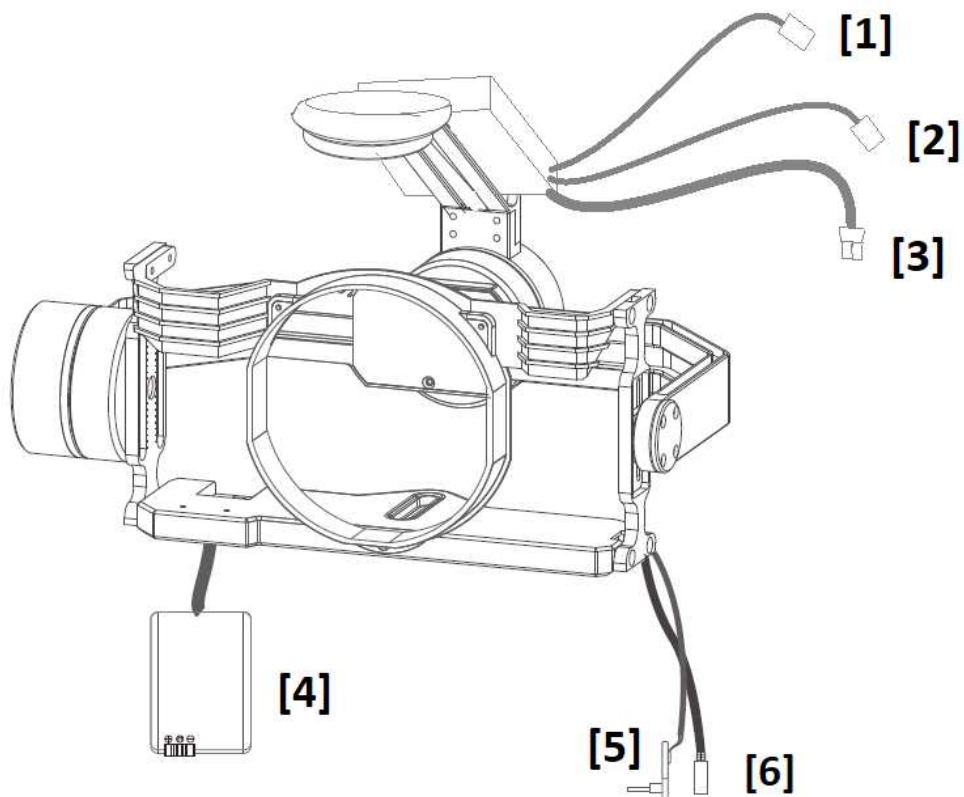
We strongly recommend that you remove aircraft propellers before installing gimbal.

As we are not able to control end user's specific usage, installation, modification (including the use of non-specified parts), and improper use. Direct or indirect damage or injury caused by the behaviour above, our company will not cover any loss and responsibility.

Rev- 0

2

Description



- 1** – Camera Trigger (connects to Klau 7700 series harness)
- 2** – Camera Output (connects to Klau 7700 series harness)
- 3** – Gimbal & Camera Power (connects to Klau 7700 series harness)
- 4** – “Dummy” Battery (use in place of original camera battery) **
- 5** – Sony Multi-port Connection (plug into camera’s multi-port)
- 6** – Hot-Shoe Connection (connects to Klau Hot-Shoe adaptor)

*** Sony dummy battery can not be used with the Sony RX1RII camera*

Installation

Mounting Camera to Gimbal

- Install memory card into camera.
- Remove original camera battery, replace with “Dummy” battery (if required). If the “Dummy” Battery is being used, the camera’s power switch can be left in the on position while mounted to the gimbal.
- Insert Hot-Shoe Adaptor into camera **[figure 1]**
- Place camera into gimbal, ensure the camera is located as straight as possible, relative to the gimbal frame, then proceed to tighten the camera mounting bolt on the underside of the gimbal **[figure 2]**

Note: The camera’s position can also be adjusted back and forth to achieve optimal balance of the gimbal which will result in optimum performance.

- Insert Multi-port connector into appropriate jack of camera **[figure 3]**
- Connect Klau Hot-Shoe adaptor to Hot-Shoe connector

Figure 1:



Figure 2:



Installation

Figure 3:



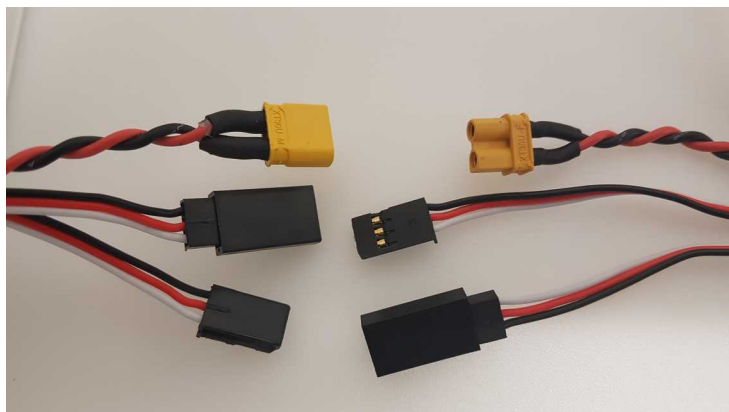
Mounting Gimbal to Drone

- The Klau Gimbal mounts in the same way as a DJI camera would.
- Ensure the locking button engages once the gimbal has been inserted.

Connecting Gimbal to Klau 7700 series

- Simply connect the 3 cables from the gimbal to the mating connections on the Klau 7700 series wire harness *[figure 4]*

Figure 4:



Operation

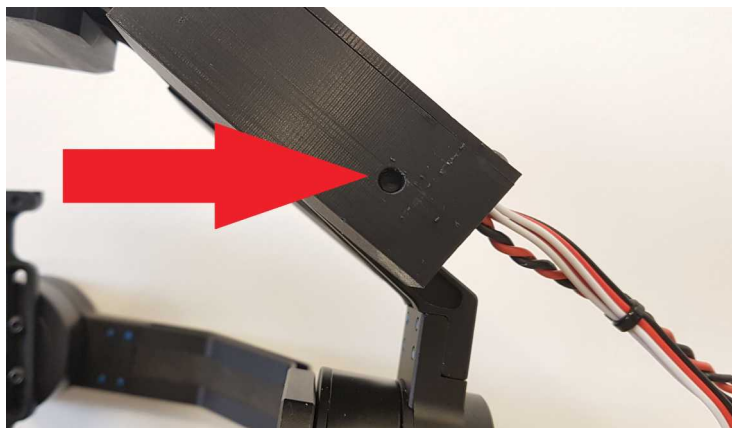
General Use

- The gimbal will turn on when power is applied to the Klau 7700 device.
- Gimbal will always start in a horizontal position.
- To adjust the pitch of the gimbal, use the supplied 2-Channel remote control
 - 'Button A' will pitch the gimbal forward in 15 degree increments. Once the gimbal has reached a vertical position of 90 degrees it will ignore any further commands from 'Button A'.
 - 'Button B' will return the gimbal to its home position (horizontal) irrespective of its current position.

Pairing A New Remote

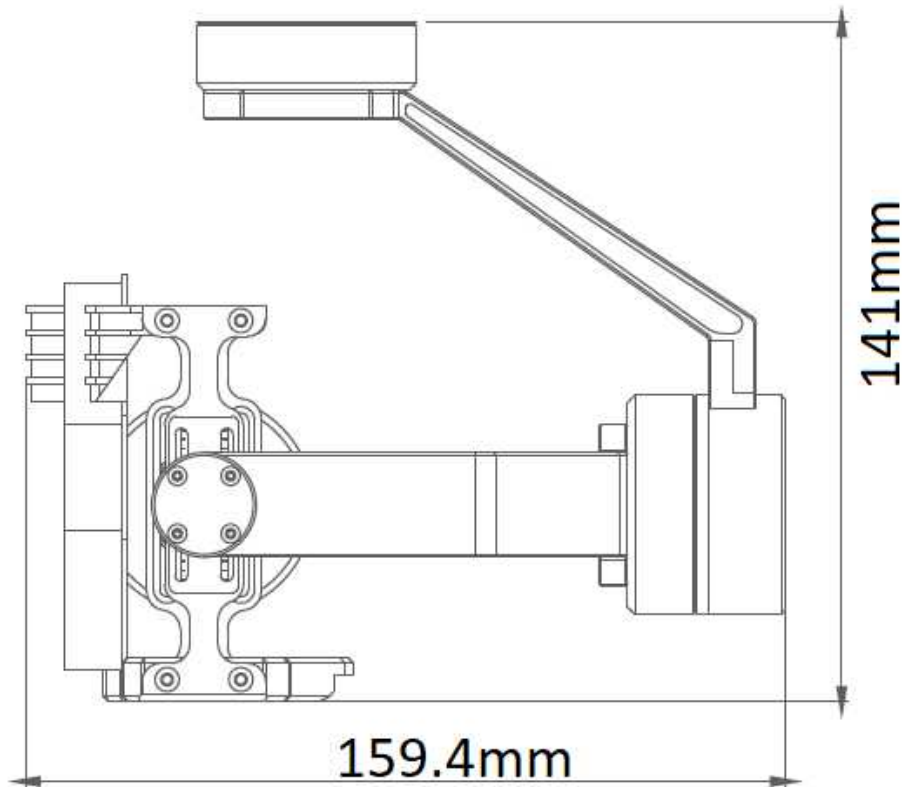
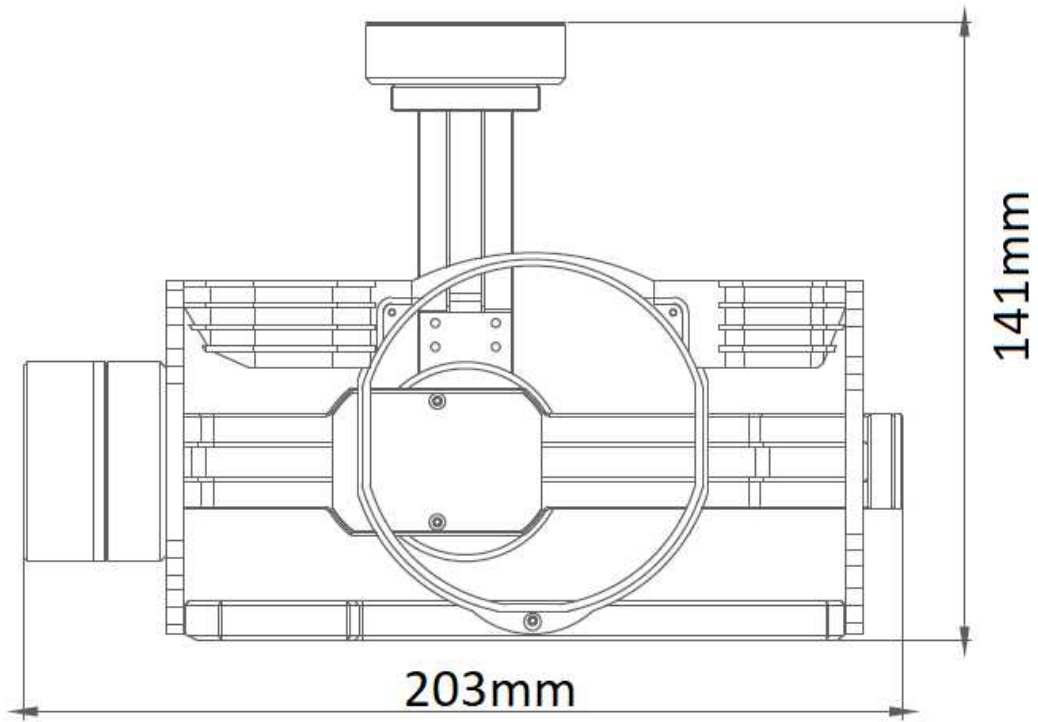
- If you have lost or damaged your remote, a replacement can be purchased from Klau Geomatics.
- When using the new remote with your gimbal for the first time, they will need to be paired by following the steps below:
 - Power the gimbal.
 - Press and hold the recessed button located on the side of the gimbals control box **[figure 5]** this will put the gimbal into Sync mode.
 - While keeping the Sync button pressed, press the 'A' button on the remote.
 - Your remote and gimbal should now be paired.

Figure 5:



Technical Specifications

Dimensions



Technical Specifications

Other Specifications

Power Source	LiPo 4s 1500mAh minimum (connected via Klau 7700 series harness)
Power Consumption	450mA
Weight	559 grams (not including camera)
Range Of Motion	Pitch:±90° Roll:±80°
Cable Lengths	100mm

Troubleshooting
